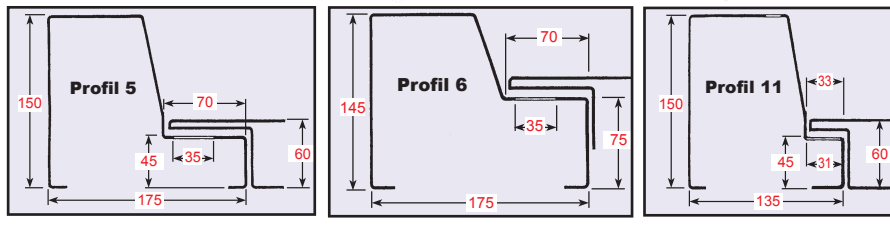
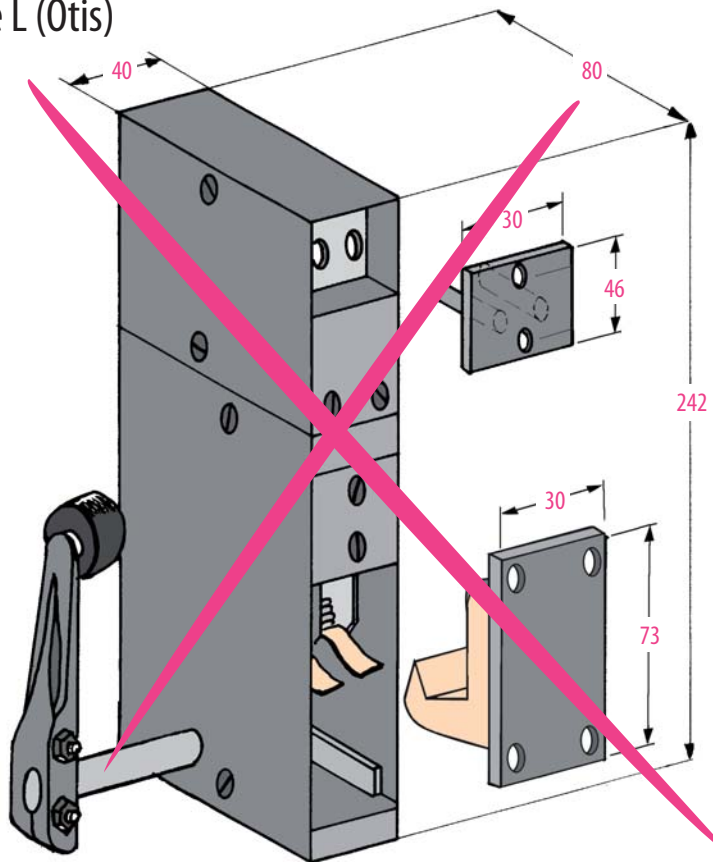


with landing side fixation

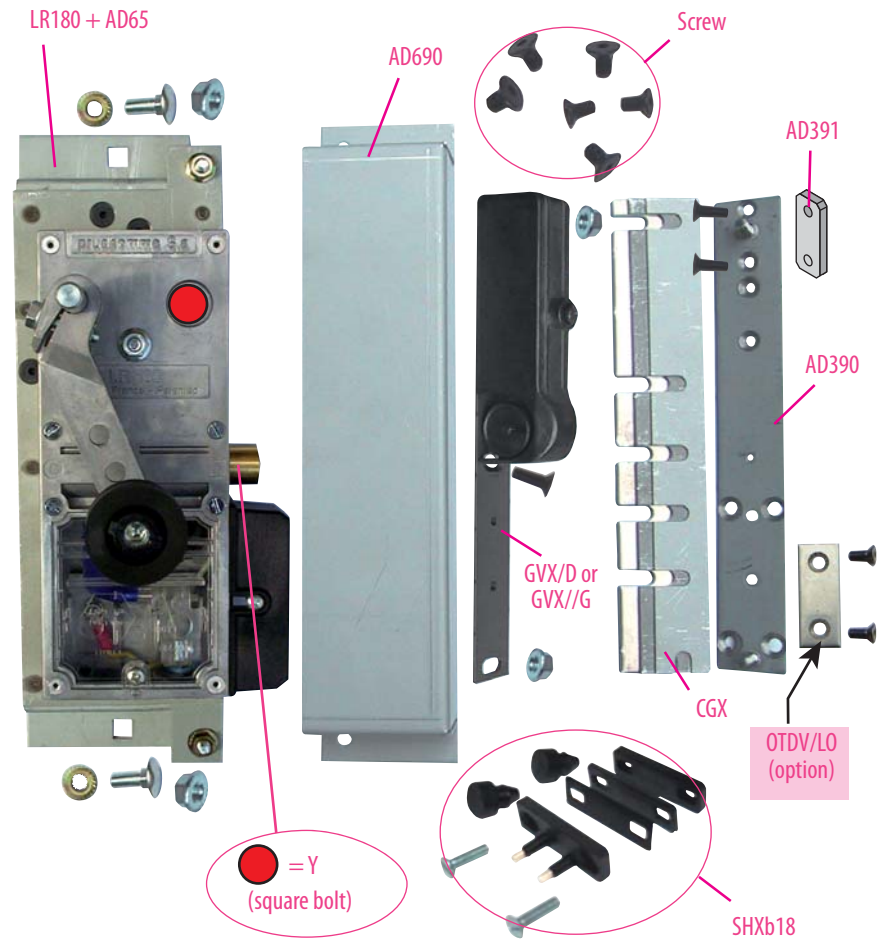
To replace :
Type L (Otis)



Substitution :

LR 180 ** LS prudhomme S.a
with Shunt.

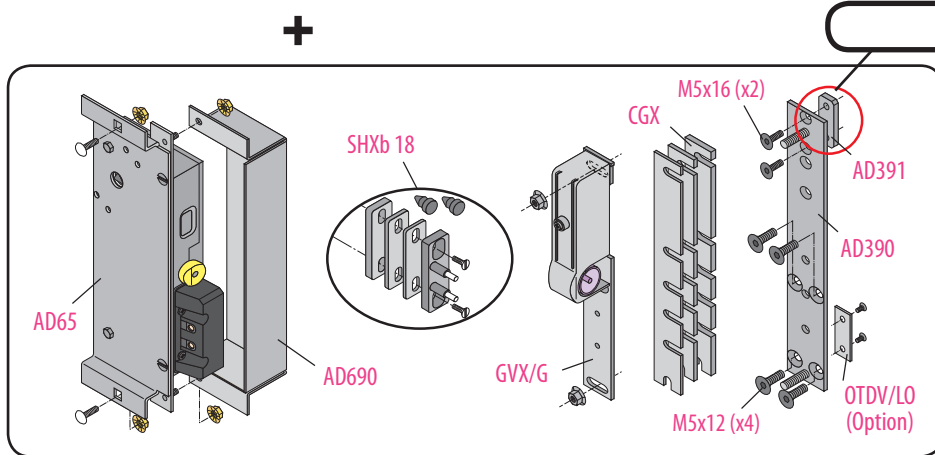
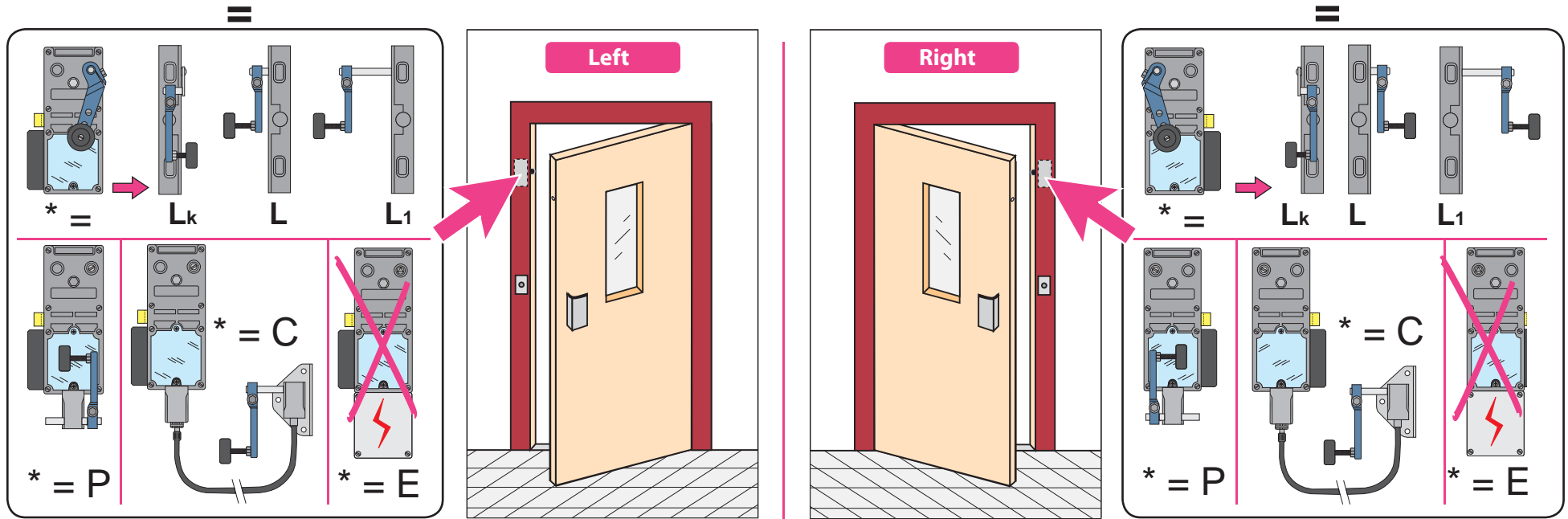
Option :
CP/LO (Drilling gauge)



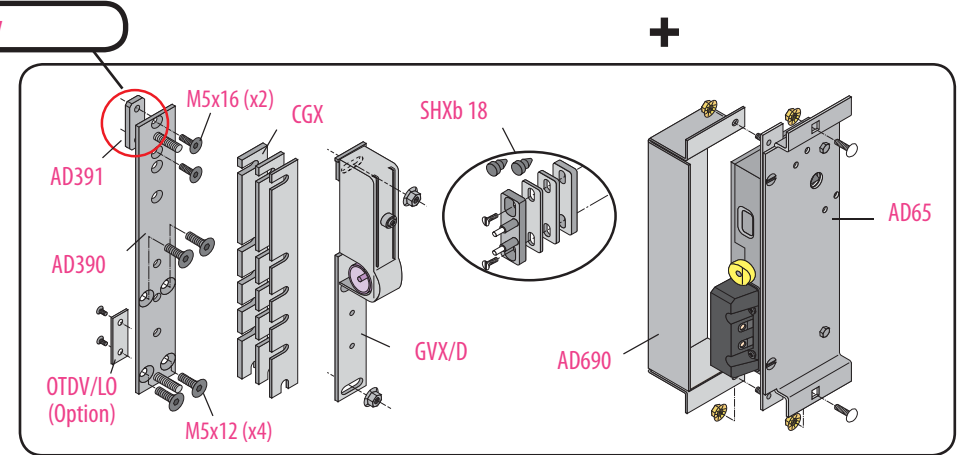
with landing side fixation

ref. : LR180 *G LS

ref. : LR180 *D LS

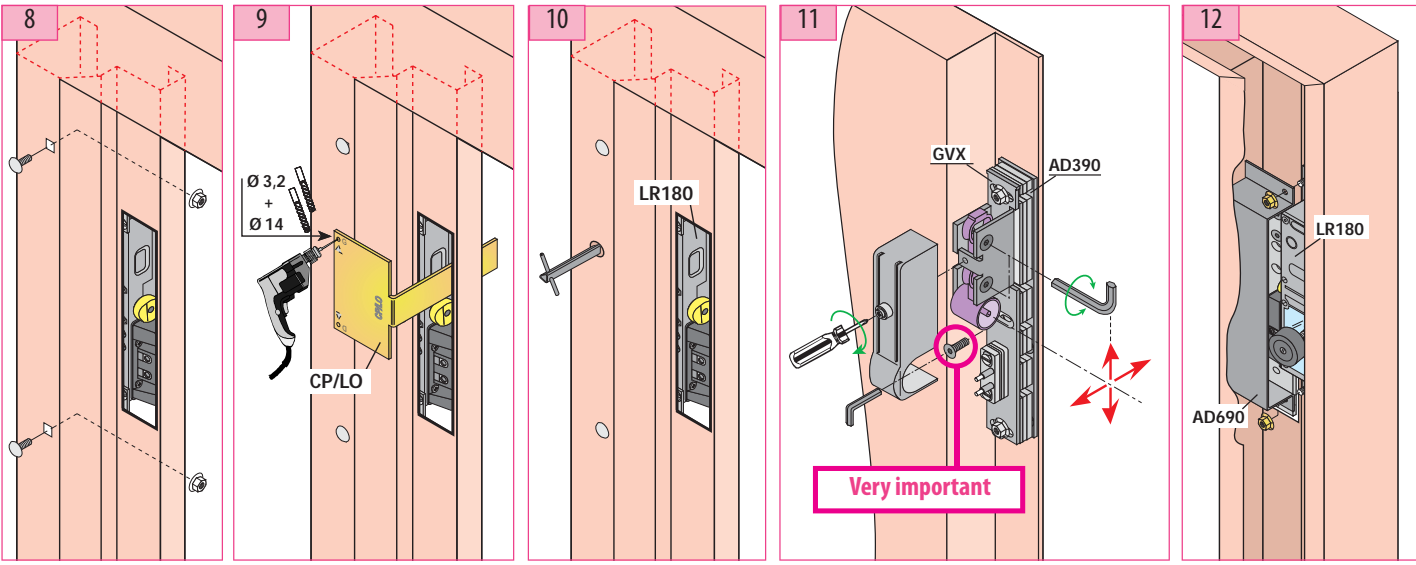
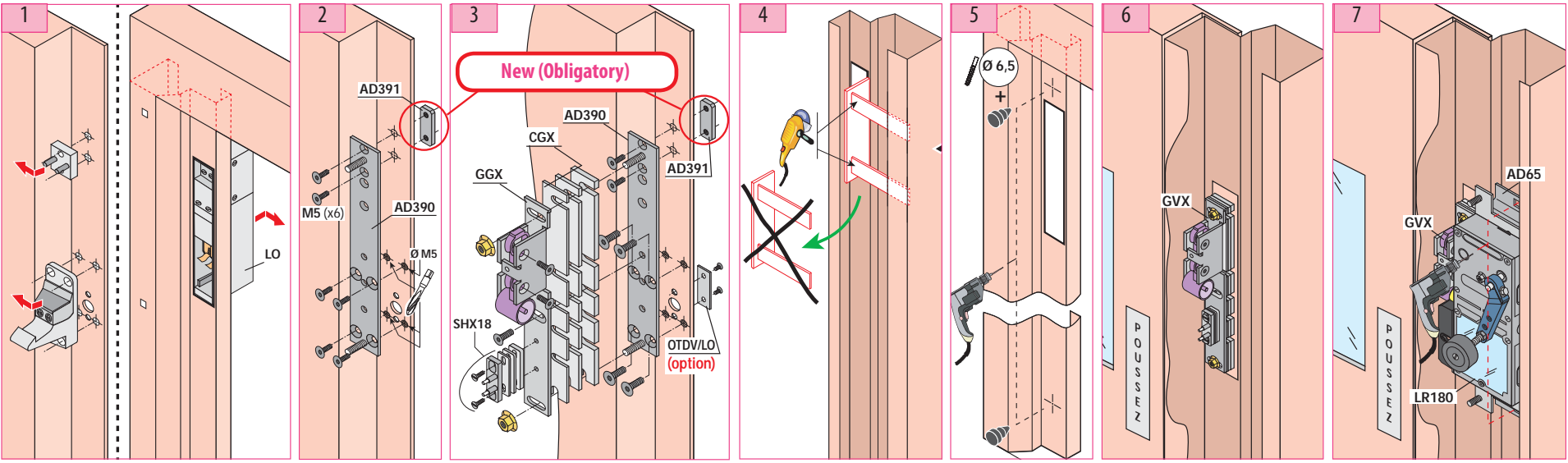
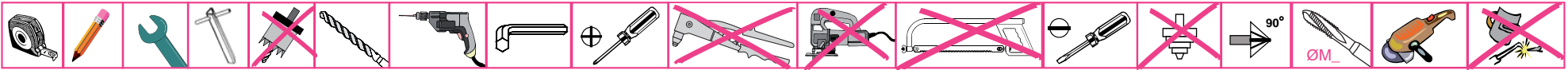


New



with landing side fixation

Mounting stages



Pin adjustment

